

Our associates will ensure the tool works properly before you leave the store. If you experience issues with the tool while completing your project, simply bring it back to the Tool Rental Center to get a replacement. If you purchase Damage Protection at the time of your rental, you are not responsible for repair costs for tools that break due to normal use.



BLADE CHANGE (continued)

Note: to prevent stripping the socket, fully seat the hex wrench into the socket of the Socket Set Screw (Part No. 1800-U).

Note: for extra leverage, insert an extension tube onto the hex wrench. Replace with new blade and retighten the screw firmly before use. Make sure the spindle lock is pulled out before operating the saw.

OPERATING

To avoid accidental starting, DISCONNECT THE SAW FROM POWER SOURCE before inserting the cutting head into the toe-space. The safest way is by angling it in (Figure 1).

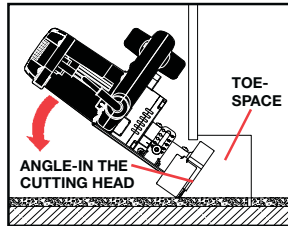


FIGURE 1

Plug-in the saw. Grasp the handles firmly and pull the trigger. Moving the saw slowly forward retracts the guards and exposes the blade. Press down on the handles slowly to plunge the blade into the cut. Slowly push the saw forward and along the toe-kick (Figure 2). Do not force the saw; let the blade cut at the highest RPM possible.

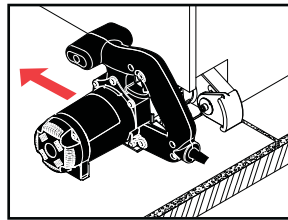


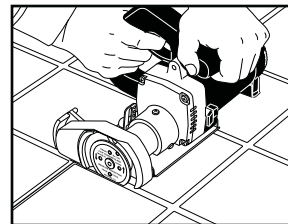
FIGURE 2

As you complete the cut, release the trigger and make sure the motor comes to a full stop before removing the saw from the toe-space. Unplug the saw before removing from the toe-space.

DIAMOND BLADE

A diamond blade is available as an accessory. It's used to saw out tile under toe spaces. Also, for tile repair, it can be used to remove field tiles.

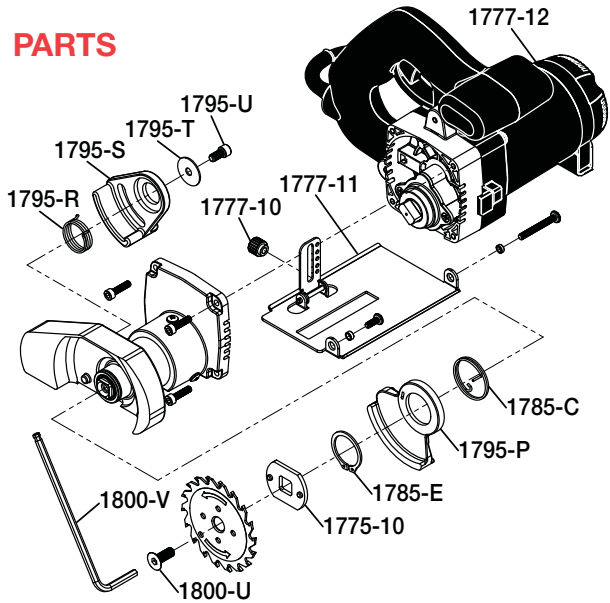
Caution: Do not overheat this blade! Cut 6ft. maximum and allow cooling. Avoid cutting into wood subfloors as this gums up the diamond grit. For best results, adjust saw depth to cut only the thickness of the tile. Make sure no chicken wire or expanded metal has been installed under tiles to be cut.



MAINTENANCE

If the saw is dropped, one or both of the blade guards may be bent, restricting the full return of either guard. With the cord unplugged, check operation of both blade guards before each use. Dust build-up can also restrict full return of either blade guard. Clear off all dust periodically. Use a pointed tool to regularly clean the socket of the Socket Set Screw (Part No. 1800-U). Build-up of sawdust will prevent the hex wrench from seating properly.

PARTS



Order No.	Description
1775-10	Blade Driver
1777-10	Depth Lock Nut
1777-11	Depth Adjuster & Fasteners (5)
1777-12	Motor
1777-13	Brush Set (not shown)
1777-14	Power Cord (not shown)
1777-15	Carrying Case (not shown)
1785-C	Return Spring
1785-E	Blade Guard Retainer Ring
1795-P	Primary Blade Guard
1795-R	Secondary Guard Return Spring
1795-S	Secondary Guard
1795-T	Secondary Guard Washer
1795-U	Secondary Guard Screw
1795-V	Power Cord Strain Relief (not shown)
1800-U	Socket Set Screw
1800-V	Hex Key Wrench
1820-R1	Switch Type B, Black (not shown)

SAW SPECIFICATIONS

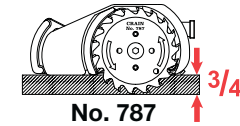
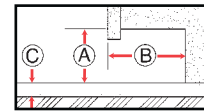
ELECTRICAL: 120 VAC, 11 AMPs, 60 HZ Double Insulated, 2 HP Motor, No Load Speed 5200 RPM

REP. BLADE: No. 787 Carbide & No. 789 Diamond

WEIGHT: 8.175 LBS. (Saw Only) 13.53 LBS. (w/Case)

MIN. /MAX. DIMS. FOR TOE-KICK TO BE CUT:

- REPLACEMENT
- (A) MIN. HEIGHT: 3 1/2"
 - (B) MAX. DEPTH: 4"
 - (C) MAX. FLOOR THICKNESS: 3/4" - No. 787 Blade



DUST HAZARD WARNING:

Some dust created by power sanding, sawing, grinding, drilling, and other construction activities contains chemicals known to the State of California to cause cancer, birth defects or other reproductive harm. Some examples of these chemicals are:

- Lead from lead-based paints,
- Crystalline silica from brick, cement and other masonry product, and
- Arsenic and chromium from chemically-treated lumber.

Your risk from these exposures varies, depending on how often you do this type of work. To reduce your exposure to these chemicals: work in a well-ventilated area, and work with approved safety equipment, such as those dust masks that are specially designed to filter out microscopic particles.

See also Prop. 65 warning label on carton related to dust.

GUARANTEE

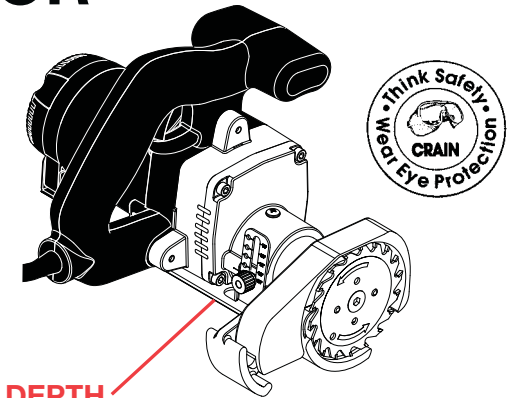
This Crain tool is guaranteed to be free of defects due to faulty materials or workmanship for a period of 90 days. During this period, any parts of tools found defective subject to the guarantee will be replaced at no charge. Returns should be sent freight PREPAID, in assembled condition and with a copy of the Bill of Sale (proof of purchase) to CRAIN CUTTER COMPANY, 1155 Wrigley Way, Milpitas, CA 95035. New tools or loaners will not be given for those pending warranty repairs.

No claims shall exceed in amount the suggested sales price of the product. No other guarantee, oral or written, is expressed or implied.

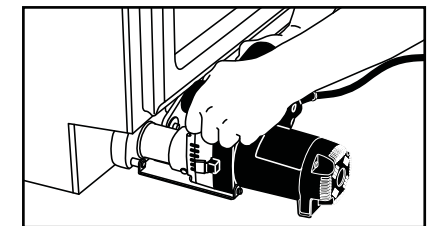
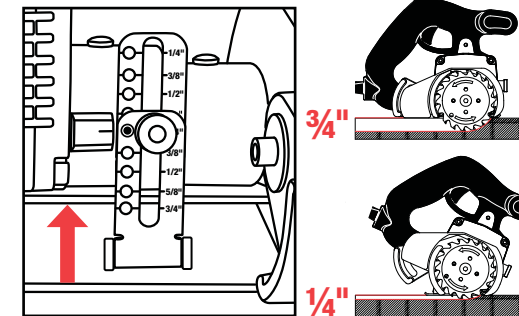
DATE OF MFG. _____

CRAIN CUTTER CO., INC.
1155 WRIGLEY WAY, MILPITAS, CA 95035-5426
TEL: 408-946-6100 FAX: 408-946-4268

INSTRUCTION MANUAL FOR



DEPTH ADJUSTMENTS: 1/4", 3/8", 1/2", 5/8", 3/4"



CRAIN
No. 777 TOE-KICK SAW

